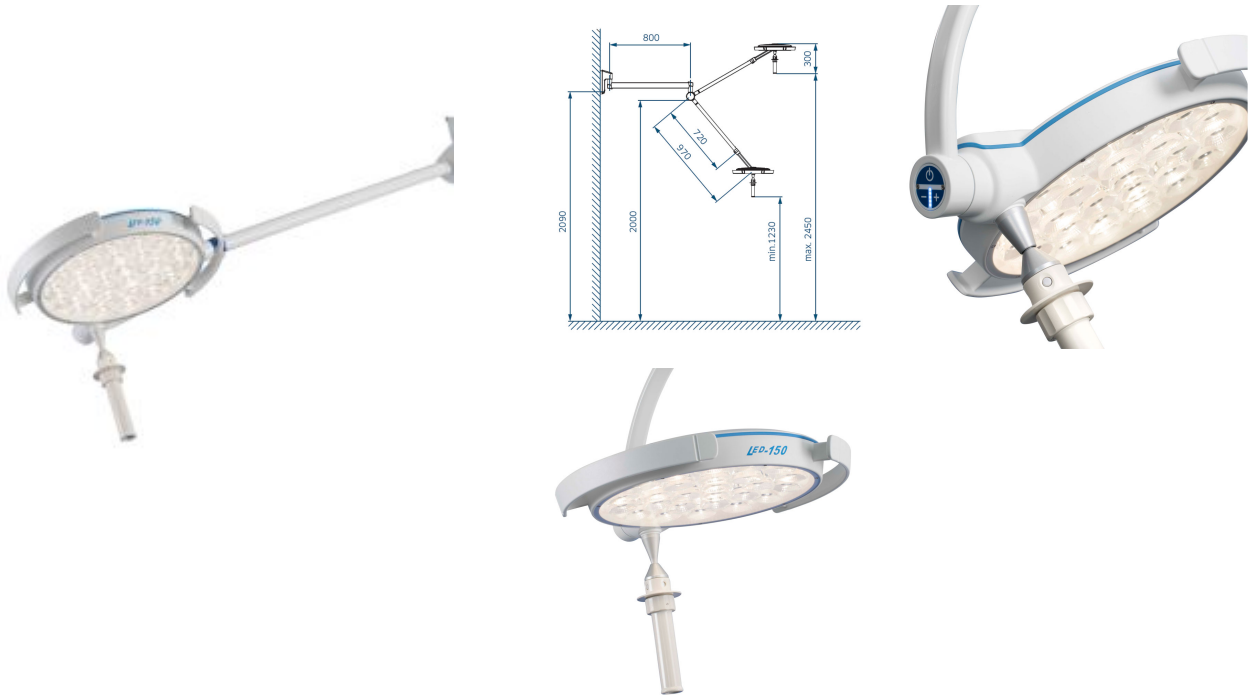


MACH LED 150 WALL MOUNTED EXAMINATION LIGHTS

MACHLED150-W-CONFIG



PRODUCT DESCRIPTION

Small operating light system with LED technology

- **Superior colour rendition** - With an outstanding colour rendering index $R_a = 96$ the surgeon can clearly recognise the tiny nuances of colour in tissue. The colour spectrum of the surgical field is rendered naturally with rich contrast. The OT-light clearly provides welcome relief for your eyes.
- **Facetted multi-lens system** - Several computer-calculated facetted lenses guarantee homogeneity and lowest shadiness in the field. Separately arranged optical systems, each with one LED module, generate their own light field, which increases the contrast effect. Light intensities up to 130,000 lux can be attained without difficulty.
- **Control panel on the light housing** - The following light functions can be controlled on the light housing:
 - Switching on/off (mechanical)
 - Electronic brightness control.
- **Optional Focus** - The light field can be focused by turning the handle. The focusable light beam allows a punctual illumination of deepest wound channels with light intensity and an exact matching of the light field diameter with the size of the wound field.
- **Handling** - During development high attention was paid to easy handling and high ease of maintenance. Furthermore, the flow-enhancing ring form and the minimal surface avoid any heat increase in the user's head area and create a perfect laminar flow performance. The light can be positioned exactly to the wound field.
- **Long lifespan/ low power consumption** - The lifespan of more than 60,000 operating hours reduces the costs for exchanging and replacing the illuminates considerably, compared with the conventional halogen technology used with former OT lights. By implementation of the LED technology, the power consumption could be reduced with more than 50% to conventional halogen lights.
- **Cool light** - The LED technology is much more efficient than conventional light sources, such as halogen bulbs. The heat radiation is reduced to a minimum without using any expensive filter technique. The temperature increases in the users' head area is imperceptible.

Specifications

	Mach LED 150	Mach LED 150F	Mach LED 150FP
Central light intensity at a distance of 1m	110,000 Lux	110,000 Lux	130,000 Lux
Illumination depth	800mm	930mm	840mm
Colour rendering index Ra	96	96	96
Colour rendering index R9	94	94	94
Focusable light field size	19cm (Fixed)	18-25cm	17-24cm
Colour temp (Kelvin)	4500 K/4300 K	4500 K/4300 K	4500 K/4300 K
Working distance	70-140cm	70-140cm	70-140cm
Diameter of light head	40cm	40cm	40cm
Height adjustment	118cm	118cm	118cm
Power consumption	35 W	35 W	35 W
Operating voltage DC	24 V DC	24 V DC	24 V DC

ADDITIONAL INFORMATION

Animal	N/A
SKU	MACHLED150-w-config
Colour/Style	White
Autoclavable Handle	Yes
Colour Temperature (k)	4500k
Head Type	Single
LED Life (hours)	60.000
Light Source	LED
Producedure	Exam, Theatre

Good to know...

At Burtons we know you have a choice to shop with us, that is why we always aim to delight our customers with a fast, easy, shopping experience. Making and sourcing only the best products we can find to fit your needs.

Price Matching: We regularly check all our prices against competitors so you don't have to. If you do find a like for like product cheaper we will aim to not just match it, but beat it!

Backorders: All back ordered items will be ordered and shipped as quickly as we can to you. Special order items may take up to 4 weeks. Once ordered a member of our team will be in contact to keep you informed of estimated delivery dates.

Returns Policy: You may return new, unworn or unused products within fourteen (14) days of delivery for a full refund of the cost of the goods, or an exchange if preferred. This is on top of your statutory rights

